



Community Development
 85 Carden Lane
 P.O Box 100, Rustburg, VA 24588
 buildinginspections@campbellcountyva.gov
 Phone: 434-332-9596
 Fax: 434-332-9693
www.campbellcountyva.gov

2015 VA RESIDENTIAL DECK CONSTRUCTION GUIDE

Joist Spans:

SPECIES ^a	SIZE	SPACING OF DECK JOISTS WITH NO CANTILEVER ^{b, f} (inches)			SPACING OF DECK JOISTS WITH CANTILEVERS ^g (inches)		
		12	16	24	12	16	24
Southern pine	2 × 6	9-11	9-0	7-7	6-8	6-8	6-8
	2 × 8	13-1	11-10	9-8	10-1	10-1	9-8
	2 × 10	16-2	14-0	11-5	14-6	14-0	11-5
	2 × 12	18-0	16-6	13-6	18-0	16-6	13-6
Douglas fir-larch ^d , hem-fir ^d spruce-pine-fir ^d	2 × 6	9-6	8-8	7-2	6-3	6-3	6-3
	2 × 8	12-6	11-1	9-1	9-5	9-5	9-1
	2 × 10	15-8	13-7	11-1	13-7	13-7	11-1
	2 × 12	18-0	15-9	12-10	18-0	15-9	12-10
Redwood, western cedars, ponderosa pine ^e , red pine ^e	2 × 6	8-10	8-0	7-0	5-7	5-7	5-7
	2 × 8	11-8	10-7	8-8	8-6	8-6	8-6
	2 × 10	14-11	13-0	10-7	12-3	12-3	10-7
	2 × 12	17-5	15-1	12-4	16-5	15-1	12-4

Bearing Beams or Bands:

SPECIES ^c	SIZE ^d	DECK JOIST SPAN LESS THAN OR EQUAL TO: (feet)						
		6	8	10	12	14	16	18
Southern pine	2 - 2 × 6	6-11	5-11	5-4	4-10	4-6	4-3	4-0
	2 - 2 × 8	8-9	7-7	6-9	6-2	5-9	5-4	5-0
	2 - 2 × 10	10-4	9-0	8-0	7-4	6-9	6-4	6-0
	2 - 2 × 12	12-2	10-7	9-5	8-7	8-0	7-6	7-0
	3 - 2 × 6	8-2	7-5	6-8	6-1	5-8	5-3	5-0
	3 - 2 × 8	10-10	9-6	8-6	7-9	7-2	6-8	6-4
	3 - 2 × 10	13-0	11-3	10-0	9-2	8-6	7-11	7-6
Douglas fir-larch ^e , hem-fir ^e , spruce-pine-fir ^e , redwood, western cedars, ponderosa pine ^f , red pine ^f	3 × 6 or 2 - 2 × 6	5-5	4-8	4-2	3-10	3-6	3-1	2-9
	3 × 8 or 2 - 2 × 8	6-10	5-11	5-4	4-10	4-6	4-1	3-8
	3 × 10 or 2 - 2 × 10	8-4	7-3	6-6	5-11	5-6	5-1	4-8
	3 × 12 or 2 - 2 × 12	9-8	8-5	7-6	6-10	6-4	5-11	5-7
	4 × 6	6-5	5-6	4-11	4-6	4-2	3-11	3-8
	4 × 8	8-5	7-3	6-6	5-11	5-6	5-2	4-10
	4 × 10	9-11	8-7	7-8	7-0	6-6	6-1	5-8
	4 × 12	11-5	9-11	8-10	8-1	7-6	7-0	6-7
	3 - 2 × 6	7-4	6-8	6-0	5-6	5-1	4-9	4-6
	3 - 2 × 8	9-8	8-6	7-7	6-11	6-5	6-0	5-8
	3 - 2 × 10	12-0	10-5	9-4	8-6	7-10	7-4	6-11
	3 - 2 × 12	13-11	12-1	10-9	9-10	9-1	8-6	8-1

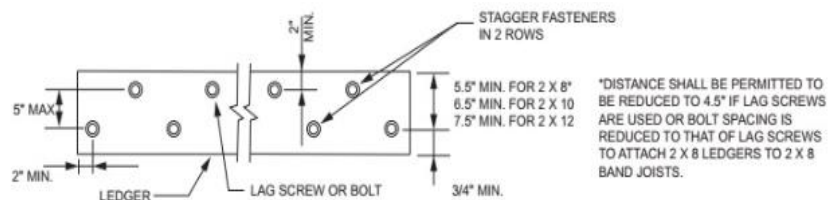
Decking:

MATERIAL TYPE AND NOMINAL SIZE	MAXIMUM ON-CENTER JOIST SPACING	
	Perpendicular to joist	Diagonal to joist ^a
1 1/4-inch-thick wood	16 inches	12 inches
2-inch-thick wood	24 inches	16 inches
Plastic composite	In accordance with Section R507.3	In accordance with Section R507.3

Bolting:

Ledger bands must be bolted through the house band or the deck must be self-supporting.
Manufactured (mobile) home decks must also be self-supporting.

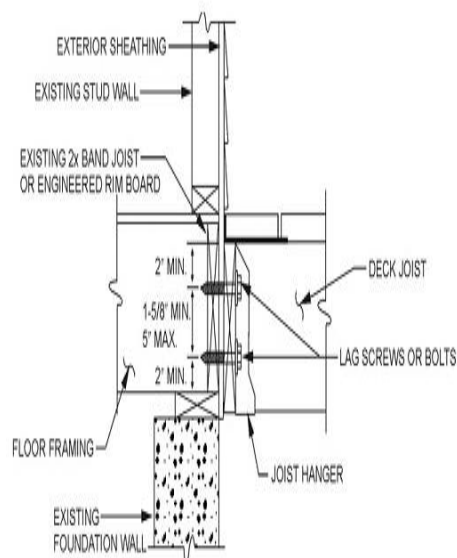
MINIMUM END AND EDGE DISTANCES AND SPACING BETWEEN ROWS				
	TOP EDGE	BOTTOM EDGE	ENDS	ROW SPACING
Ledger ^a	2 inches ^d	3/4 inch	2 inches ^b	1 5/8 inches ^b
Band Joist ^c	3/4 inch	2 inches	2 inches ^b	1 5/8 inches ^b



For Sl: 1 inch = 25.4 mm.

DECK ATTACHMENT FOR LATERAL LOADS

PLACEMENT OF LAG SCREWS AND BOLTS IN LEDGERS



NOTE:
 THIS DETAIL IS APPLICABLE WHERE FLOOR JOISTS ARE PARALLEL TO DECK JOISTS.

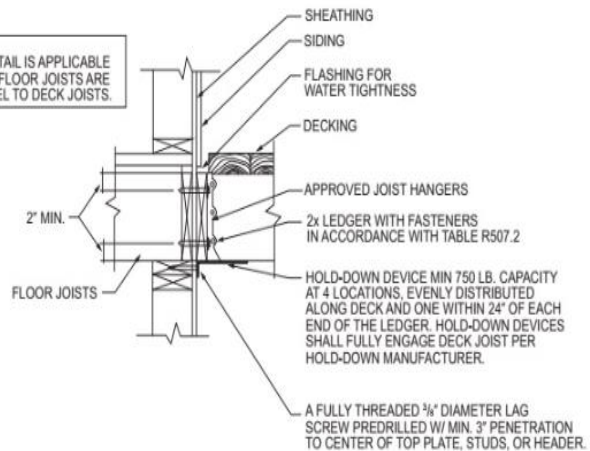
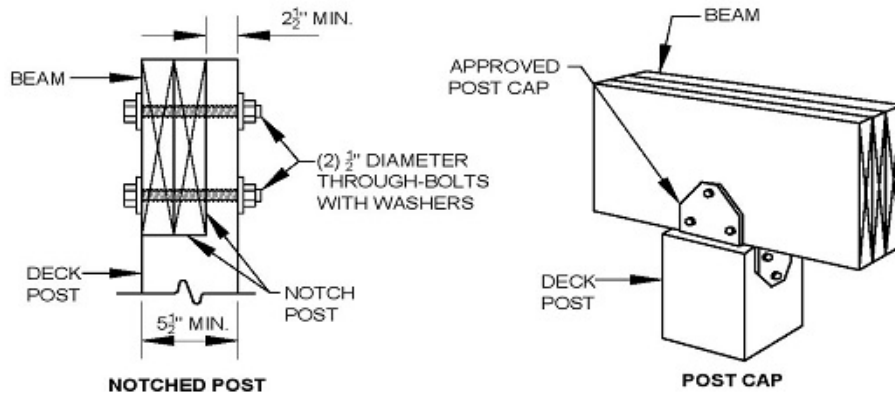


FIGURE R507.2.3(2)

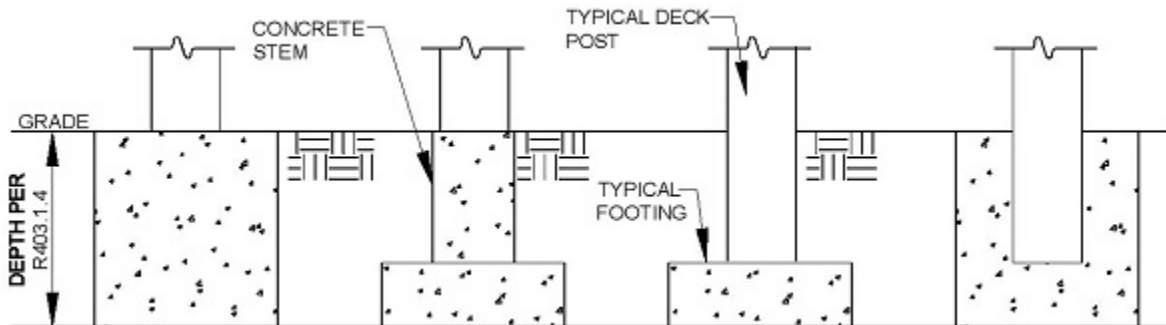
DECK ATTACHMENT FOR LATERAL LOADS

POST:



Footing to be on suitable soil
18" below final grade, 18" wide
and 8" thick minimum.

Deck Footing Options: Please circle the footing type.



Stairs & Rails:

- A minimum 36" deck or landing is required outside each exterior door.
- Deck or landing must be within 8 1/4" of the top of threshold unless the door swings out.
- Guards are required if the deck is over 30" above grade anywhere within 36".
- Guards are required to be a minimum of 36" high.
- Guards must not have an opening greater than 4".
- Guards for stairs must be a minimum of 34" above the front edge (nosing) of the treads.
- Guards for stairs may have no opening greater than 4 3/8" including the riser.
- A handrail is required on one side of stairs if there are 4 or more risers.
- Handrails must be between 34" and 38" from the front edge of the treads.
- Stairs must have a minimum 9" tread and maximum 8 1/4" rise.

THE GENERAL INFORMATION PROVIDED IS BASED ON THE 2015 VIRGINIA RESIDENTIAL CODE SUBJECT TO FIELD INSPECTIONS FOR CODE COMPLIANCE

**FOR SPECIFIC CODE QUESTIONS PLEASE CONTACT THE BUILDING OFFICE AT
(434) 332-9596**